



Service Note

NikolaTesla Fit – Flap non rimane chiuso

NikolaTesla Fit – flap not remaining closed

Service Note

NikolaTesla Fit – Flap non rimane chiuso / NikolaTesla Fit – flap not remaining closed

Problema: Il Flap è sempre aperto / The flap always open

Soluzione: Ruotare i magneti per modificarne la polarità / Rotate the magnets to change their polarity



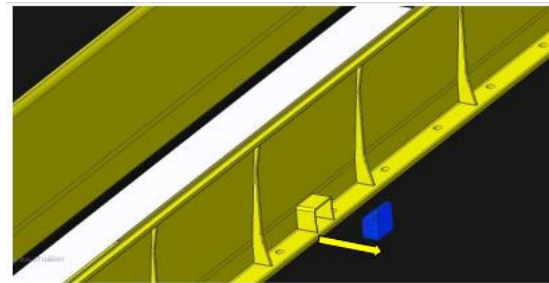
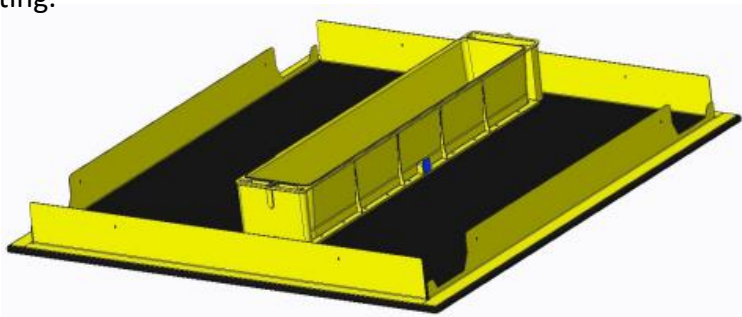
Product (PRF code)	Description	I2NC
PRF0167054	NIKOLATESLA FIT BL/A/72	208355406118
PRF0167053	NIKOLATESLA FIT BL/A/60	208355406119

SERIALE (PRODUZIONE): < SETTIMANA 03 DEL 2021 /
SERIAL NUMBER (PRODUCTION): < WEEK 03 OF 2021

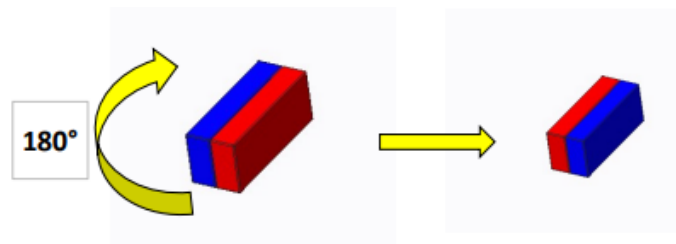
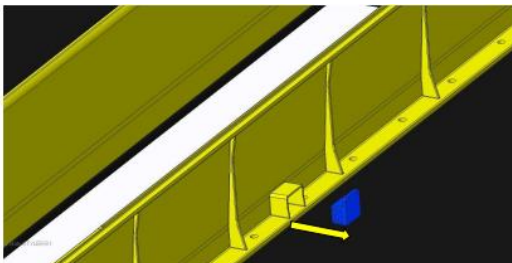
NikolaTesla Fit – Flap non rimane chiuso / NikolaTesla Fit – flap not remaining closed

Procedura tecnica / Service operations:

1. Smontare il vetro. Estrarre il supporto magneti dal centro del raccordo / Remove the glass. Remove the magnet holder from the centre of the fitting.



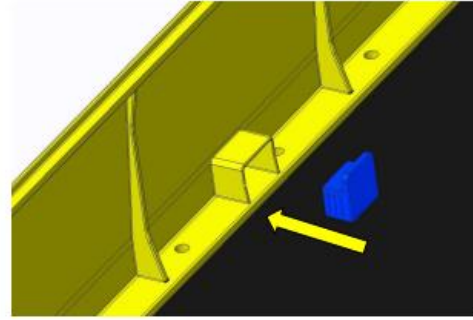
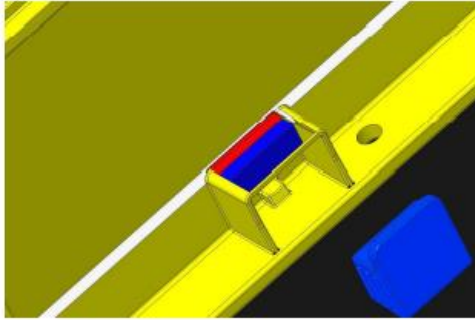
2. Sfilare i magneti. Ruotarli di 180° in modo da avere le polarità opposte / Remove the magnets. Turn them 180° so that they have opposite polarities.



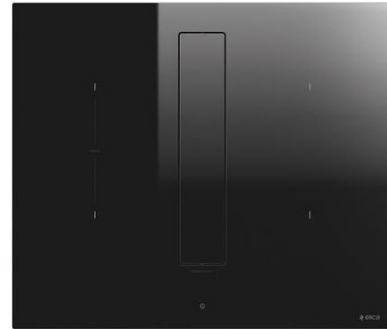
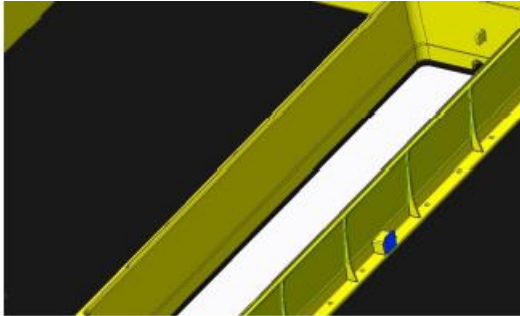
NikolaTesla Fit – Flap non rimane chiuso / NikolaTesla Fit – flap not remaining closed

Procedura tecnica / Service operations:

3. Inserire di nuovo le calamite ed il corrispettivo supporto a pressione / Re-insert the magnets and the corresponding pressure support.



4. Provare il flap sul vetro prima di rimontare il prodotto / Test the flap on the glass before reassembling the product.



An aerial view of a city skyline, likely New York City, with a prominent geometric overlay of semi-transparent triangles in shades of red and blue. The Elica logo, consisting of a stylized 'e' symbol followed by the word 'elica', is centered in white.

 elica

MetLife

WORLDWIDE